



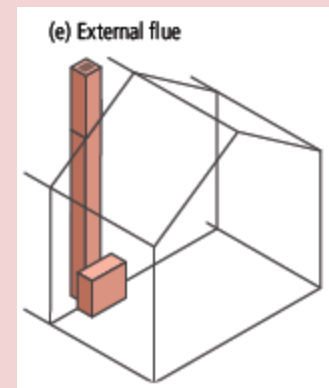
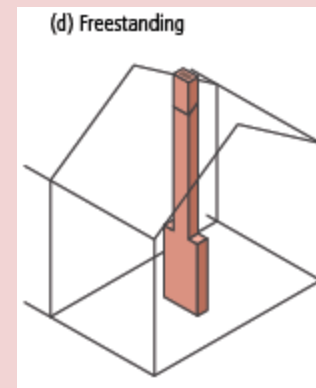
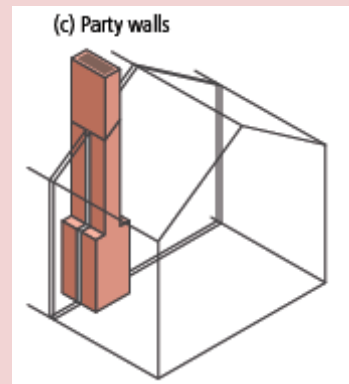
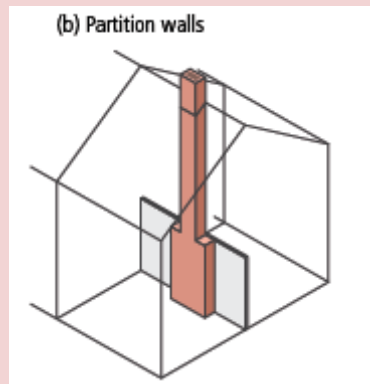
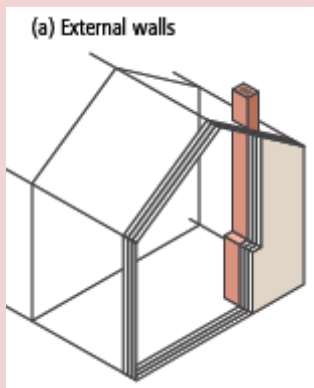
CHAPTER 13

FIREPLACE AND CHIMNEY



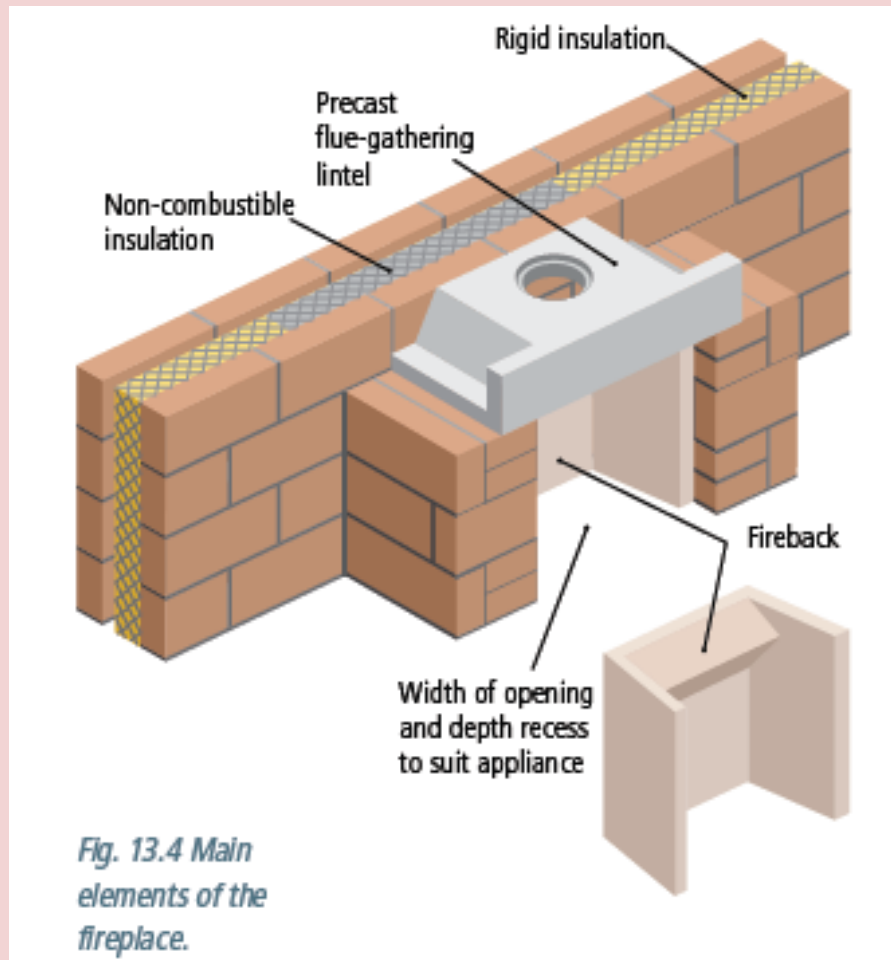
Position of Chimney and Fireplace

- Various positions can be chosen for the chimney.
- Some will have the main flue internally, while others will have it externally.



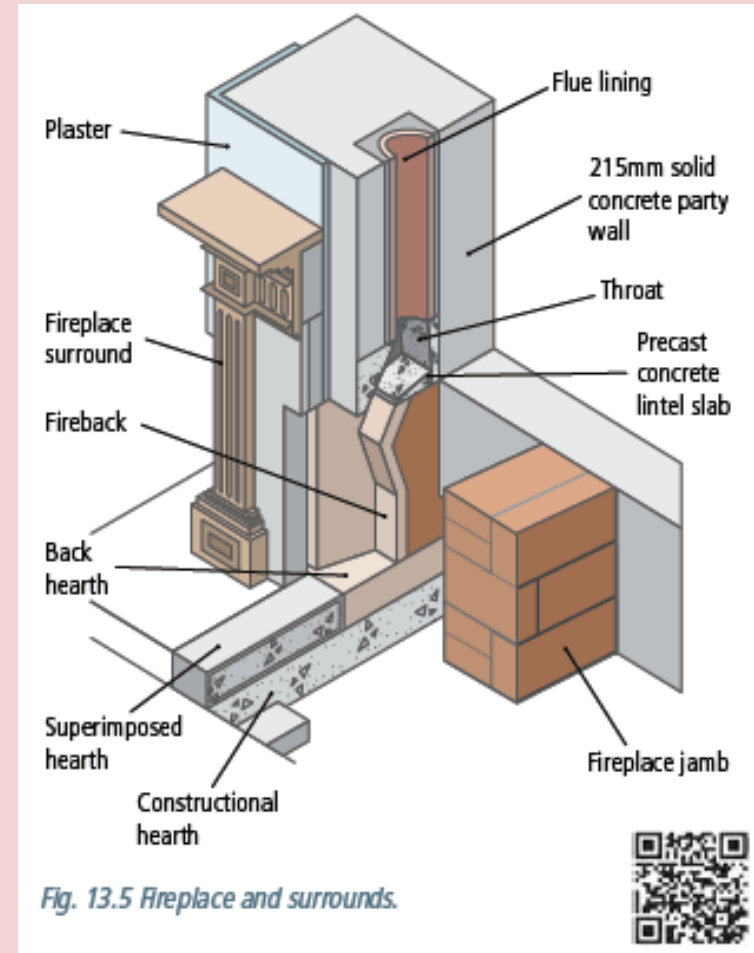
Construction of the Fireplace

- Fireplace jambs are set in place. They are the width of the fireback apart.
- Precast flue-gathering lintel is placed on top of the jambs.
- Non combustible insulation is placed in the cavity behind the fireplace.



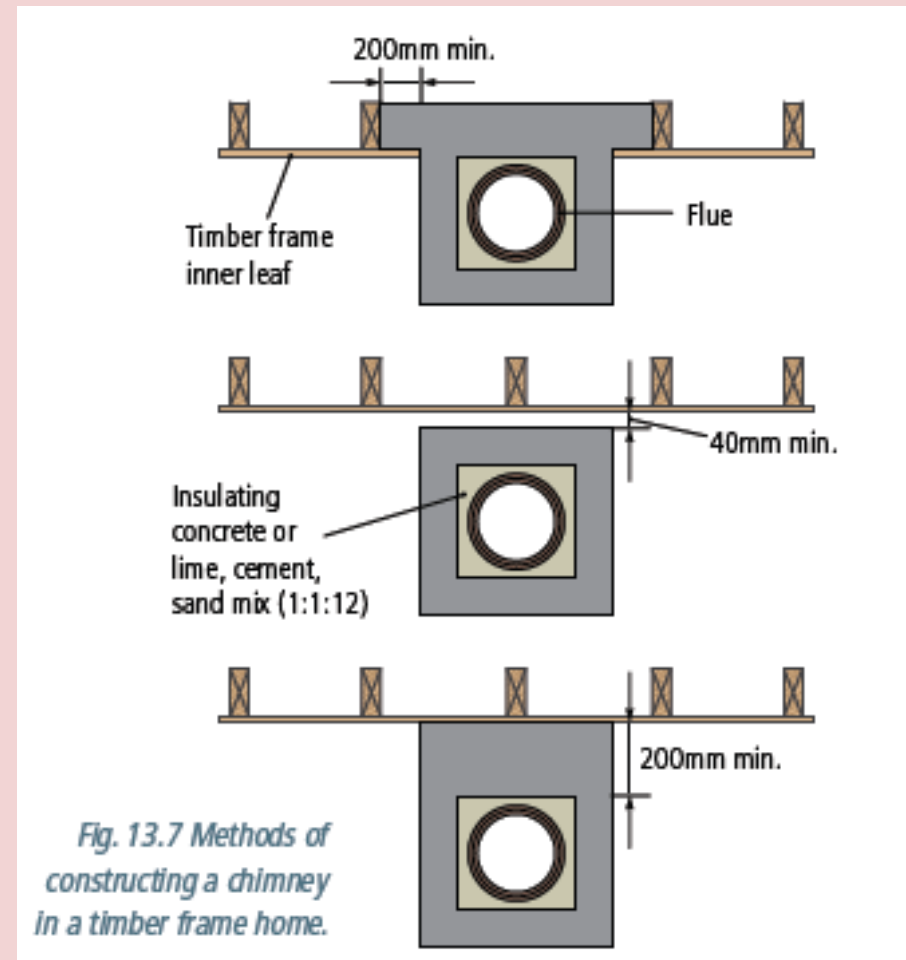
Fireplace and Chimney Base

- Throat is added to the lintel and attached to the flue.
- Flue lining is packed to surround the flue as it is built up.
- External finishings are applied, such as plaster on chimney breast and fireplace surround.



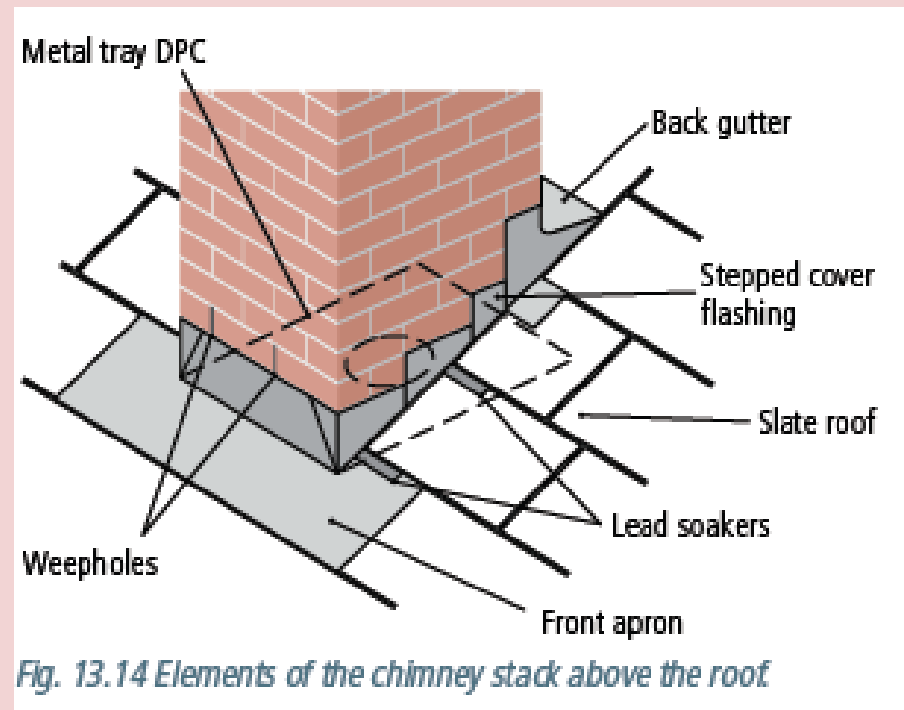
Fireplaces in Timber Frame Constructions

- Due to the combustible nature of the timber frame, measures must be taken to prevent the spread of fire into the timbers.



Chimney at Roof Level

- Chimney must be watertight at roof level
- Combination of seals to insure water tightness:
 - Lead base tray
 - Apron flashing
 - Back gutter
 - Lead soakers
 - Cover flashing



Height Requirements

